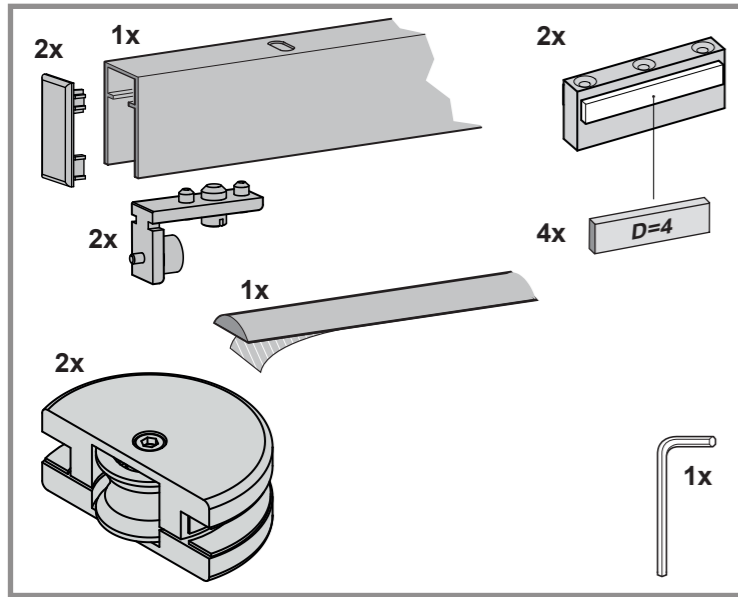
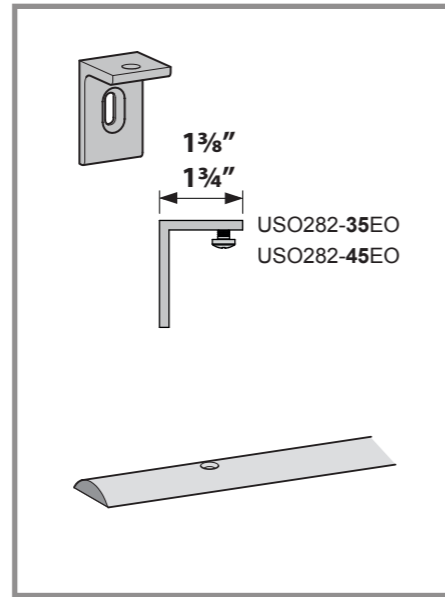


complete-set



optional



- Attention
- Screw on
- Screw on
- Drill
- Dowels
- Level
- Perpendicular
- Measure Mark
- Visual inspection
- Tool
- Measure
- Clarify questions
- At right angle
- 2 people required



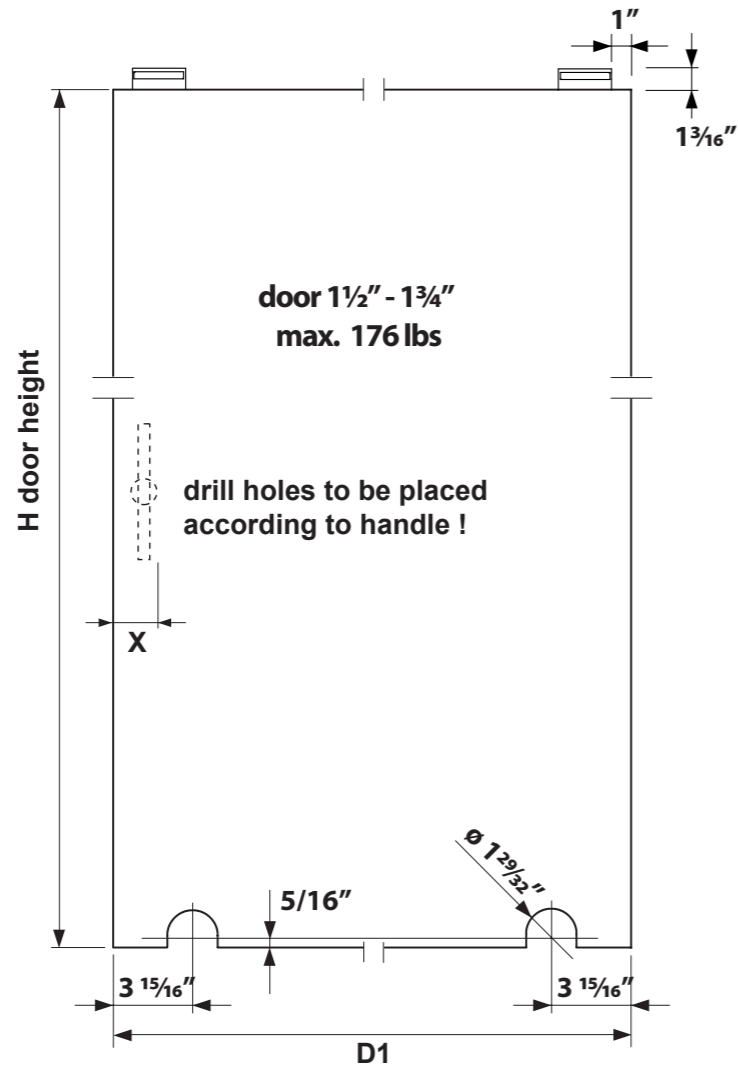
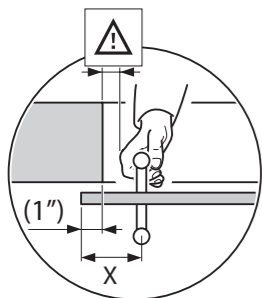
Comply with all general safety regulations when installing the sliding door fittings!

Installation to be completed by qualified licensed contractor.

Be sure to tighten all screw connections one week after starting to use the sliding door fittings!

Never use scouring agents to clean the sliding door fittings; rather use commercially available stainless-steel cleaners!

Make door handle clearance so that fingers do not get pinched when the door is used!



ABP beyerle

Beyerle US L.L.C.

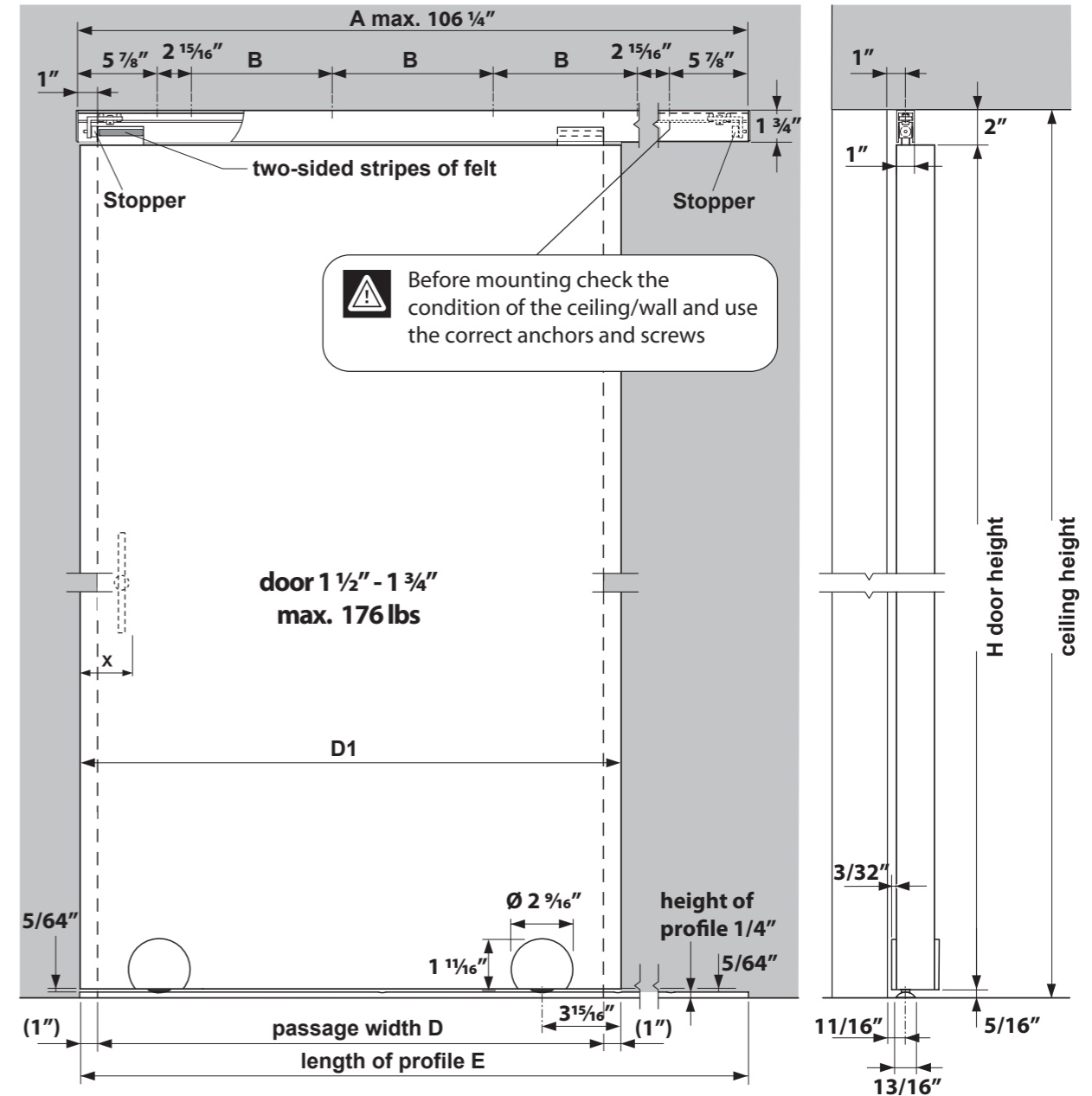
5126 S Royal Atlanta Dr., Tucker, GA 30064

Phone (770) 349 - 6324, Fax (770) 934 - 3384, mail: info@beyerle-us.com, www.beyerle-us.com

65_30_00.0060_US_deeplymove_wood-032015-jb

Installation instructions

Sliding door fittings Deeply Move for wood doors (1 1/2" - 1 3/4")



complete-set's

Set-Nr.	A mm	B mm	D mm	E mm
112.00140	74 3/16"	28 9/16"	29 1/2" - 35 7/16"	28 9/16"
112.00141	82 1/16"	21 5/8"	35 13/16" - 39 3/8"	21 5/8"
112.00142	92 1/2"	24 15/16"	39 3/4" - 44 1/16"	24 15/16"
112.00143	102 3/8"	28 1/4"	44 1/2" - 49 3/16"	28 1/4"

Right to make technical changes reserved - Dimensions in (inch) - Version 01.2015
© by ABP-Beyerle GmbH

ABP beyerle



Abb. 1

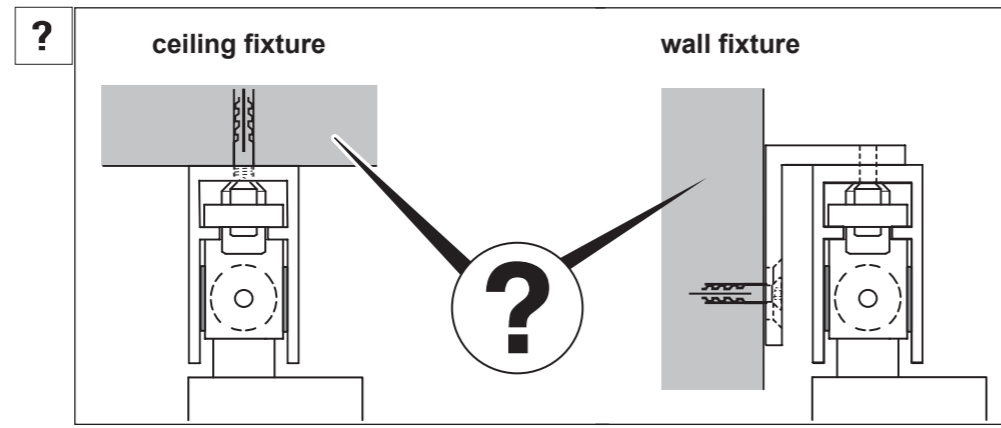


Abb. 2

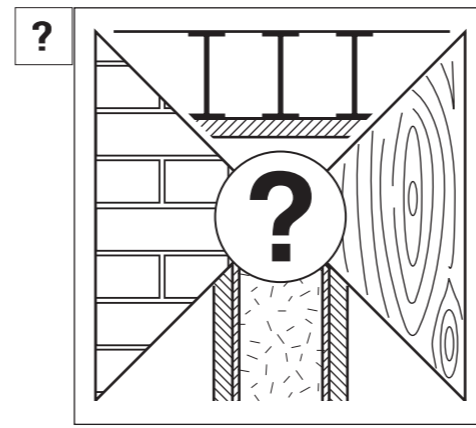


Abb. 3

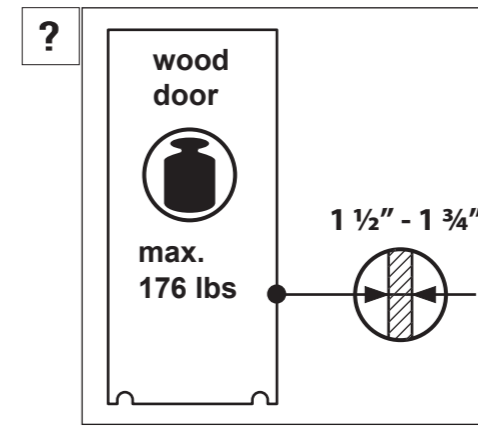


Abb. 4

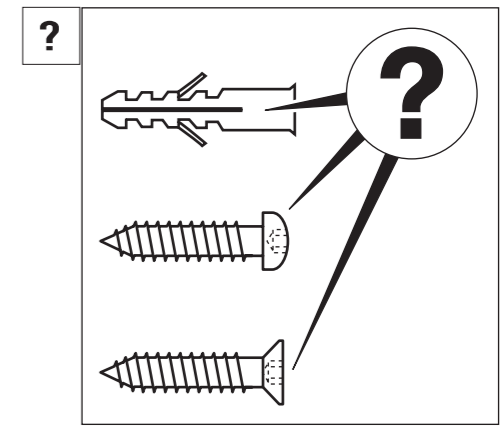


Abb. 5

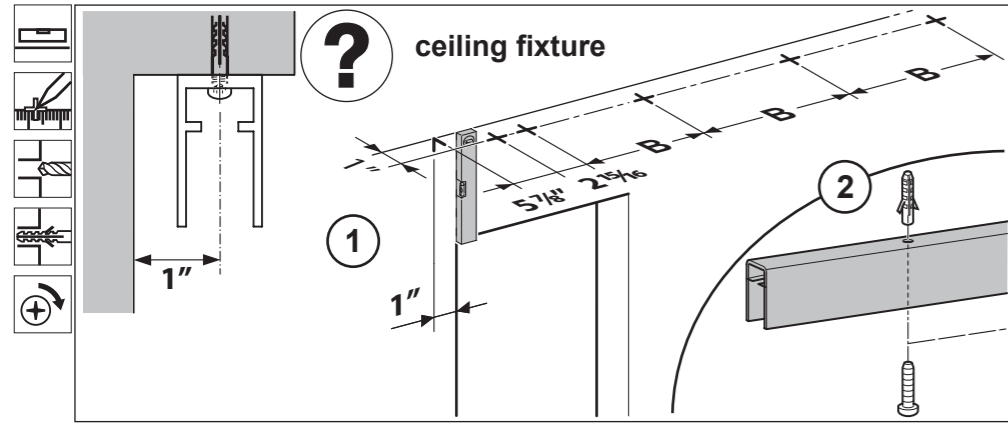


Abb. 6

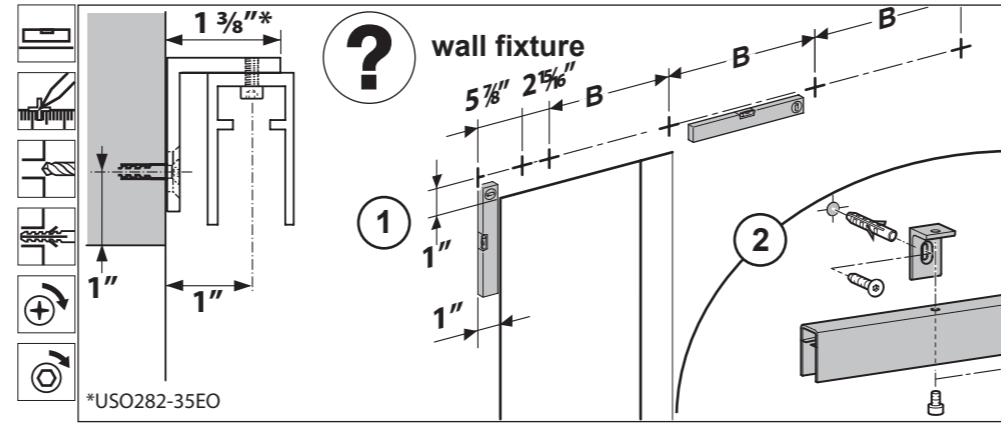


Abb. 7

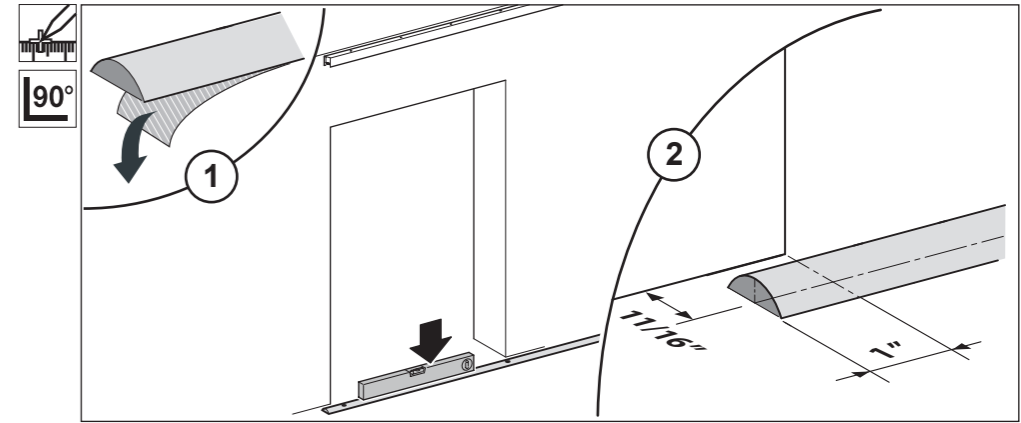


Abb. 8

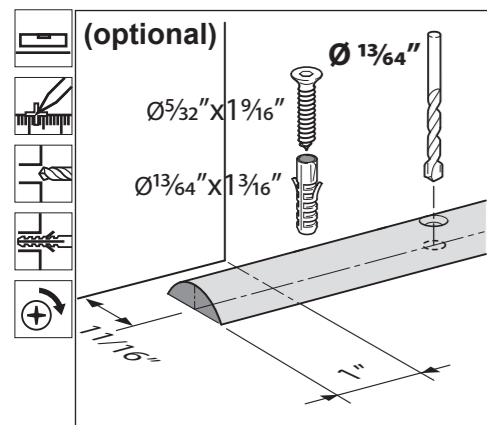


Abb. 9

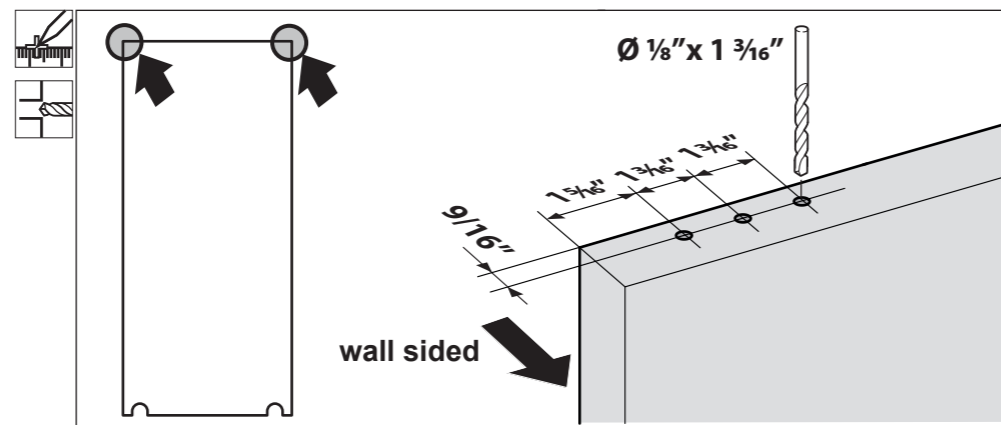


Abb. 10

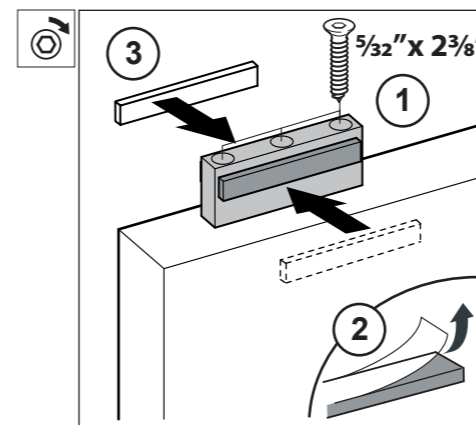


Abb. 11

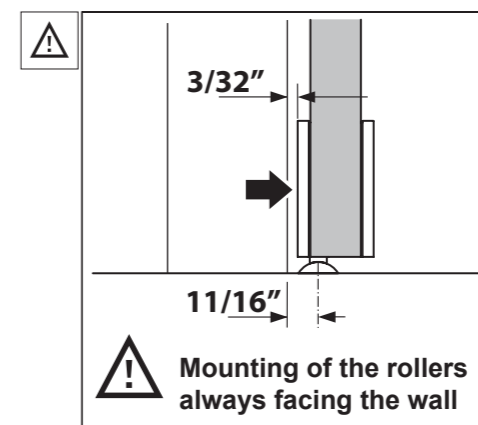


Abb. 12

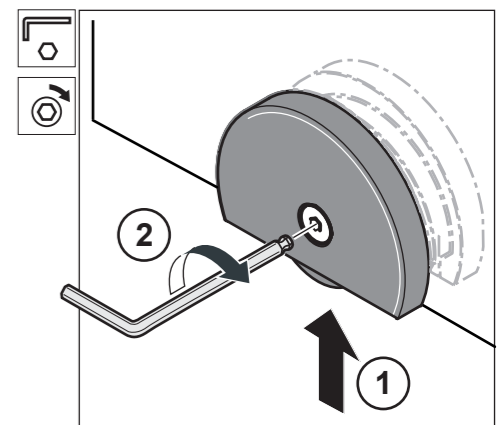


Abb. 13

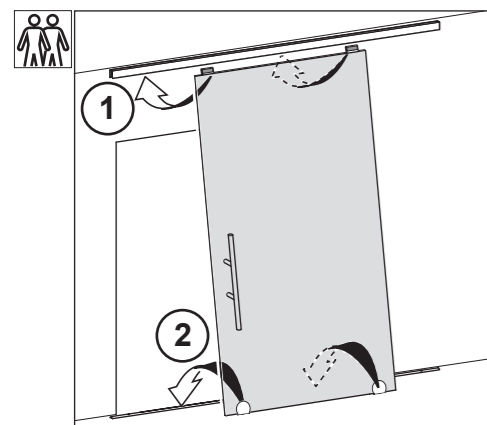


Abb. 14

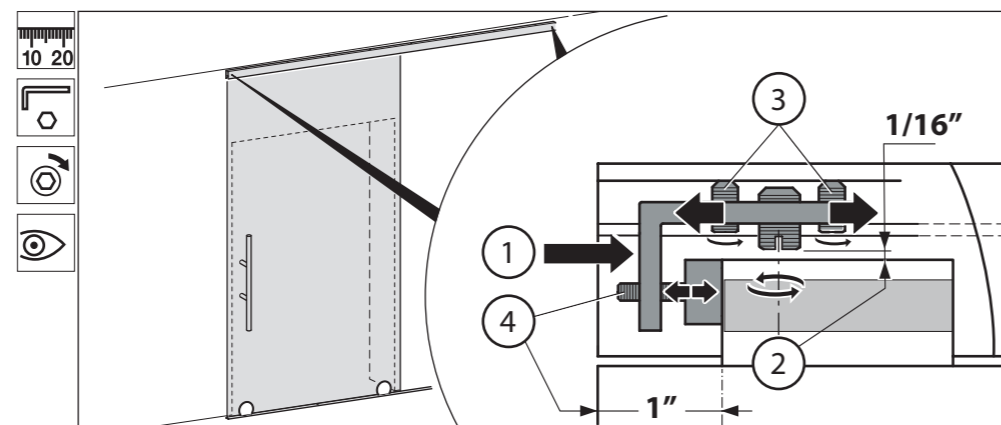


Abb. 15

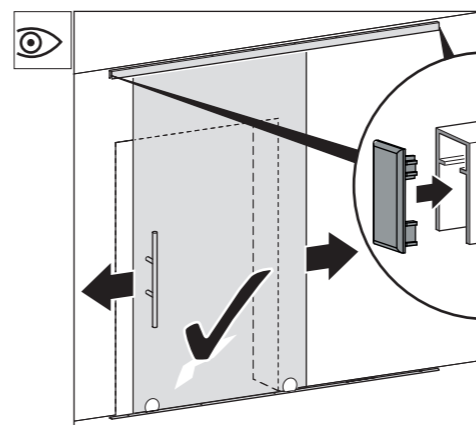


Abb. 16

Sliding door fitting Deeply Move for wood door (1 1/2" - 1 3/4")